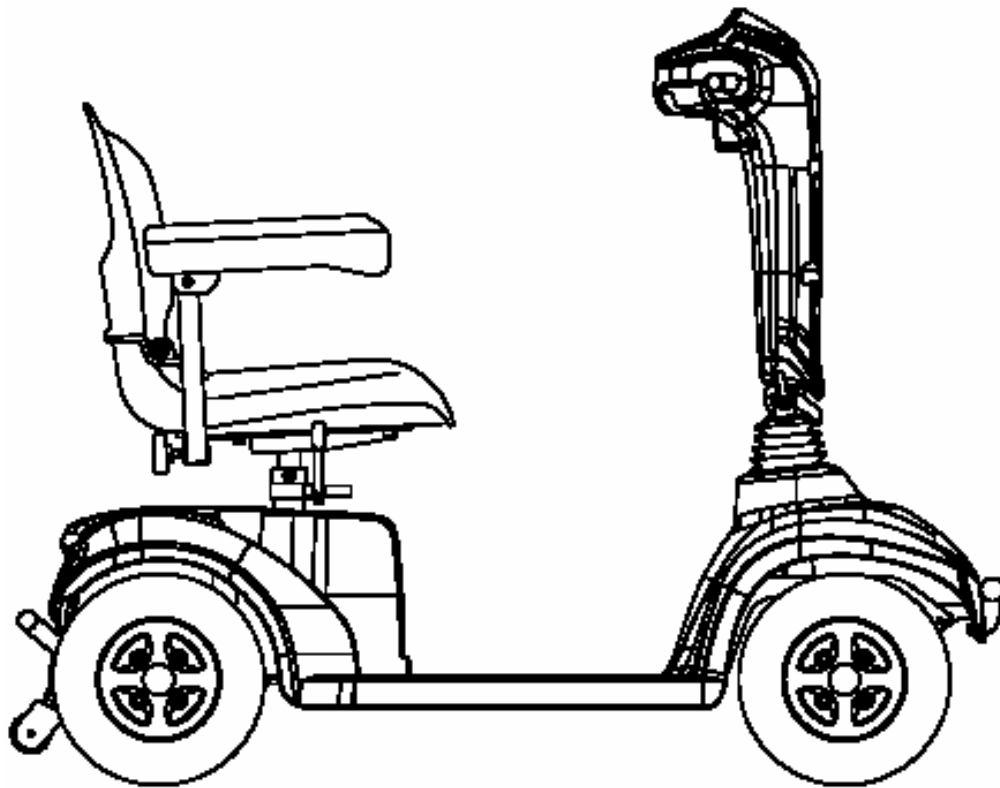


# INVACARE

## SCOOTER PARTS LIST

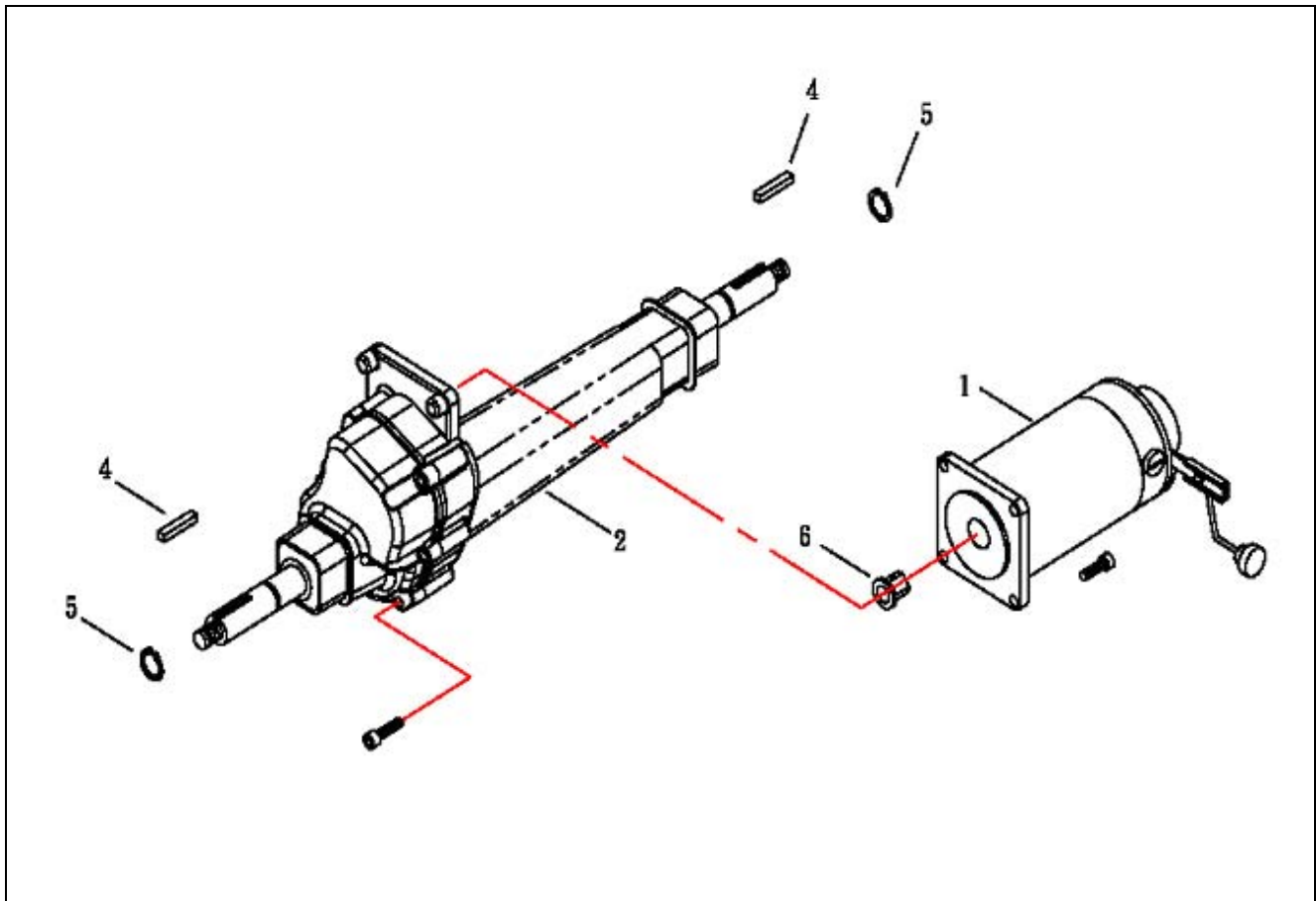


TAURUS

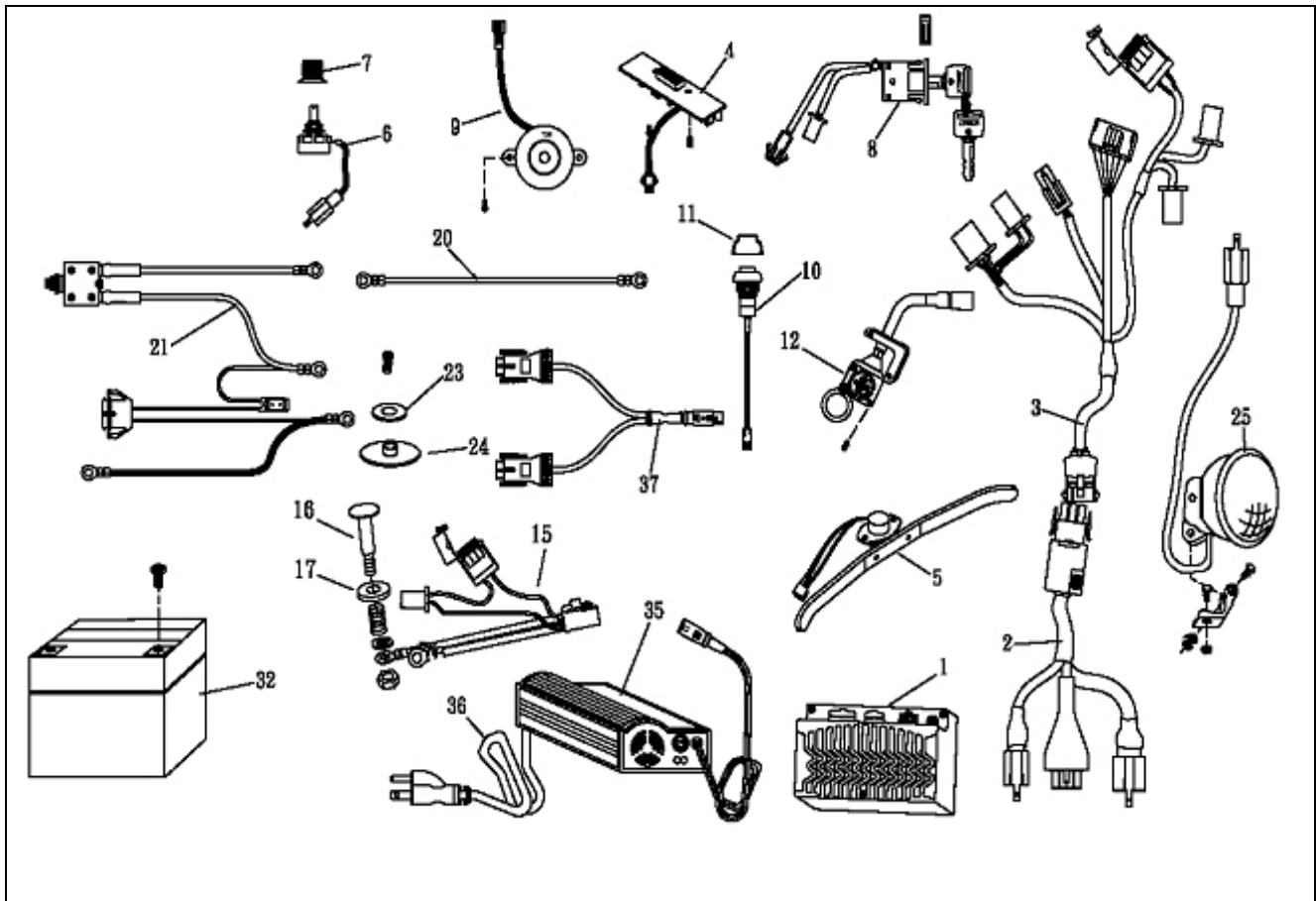
# INVACARE

## SCOOTER PARTS LIST

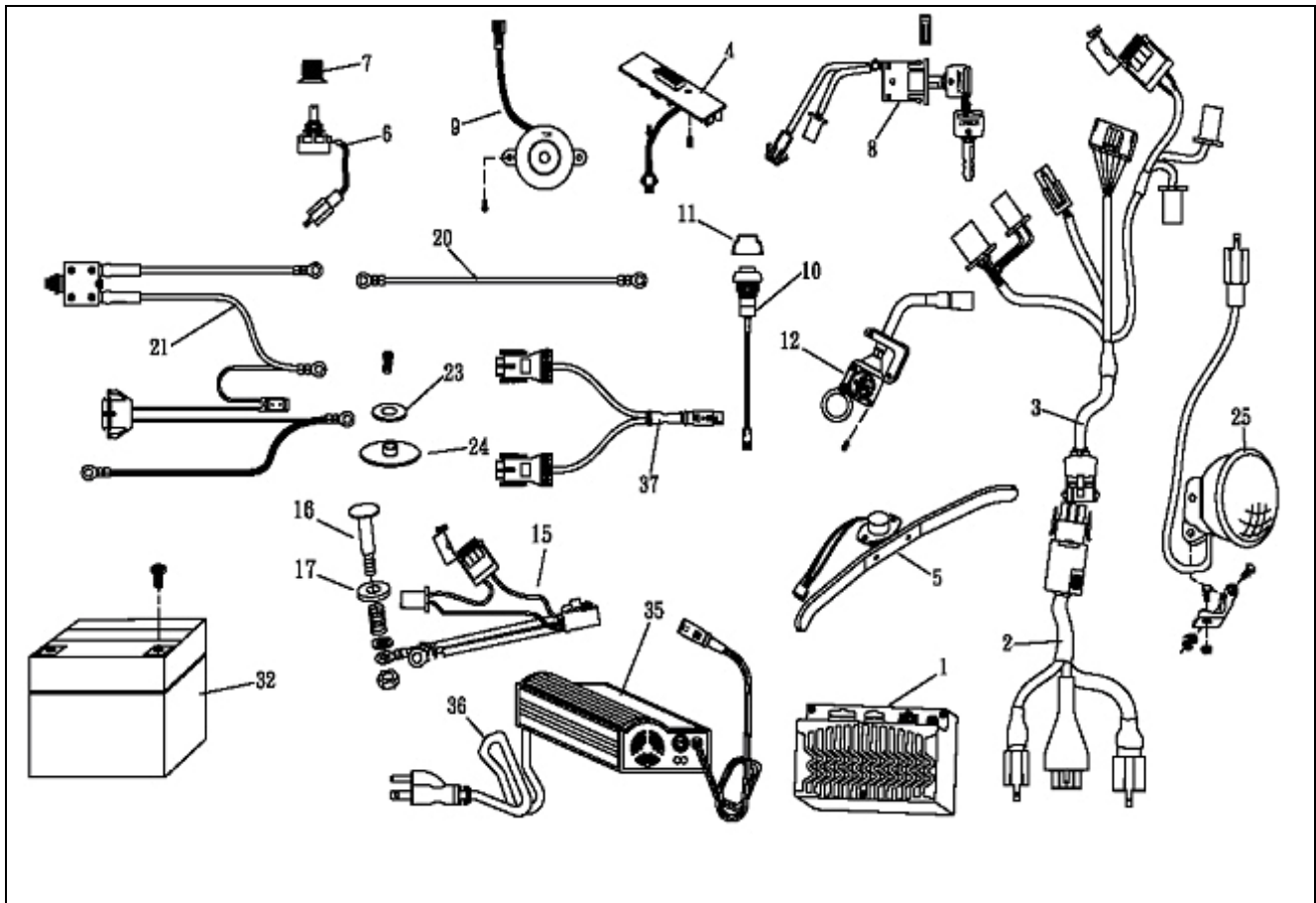
<b>FIGURE</b>	<b>DESCRIPTION</b>
1	MOTOR
2	ELECTRICS
3	FRAME
4	STEERING
5	SEAT
6	SHROUD
7	WHEELS
8	ACCESSORIES



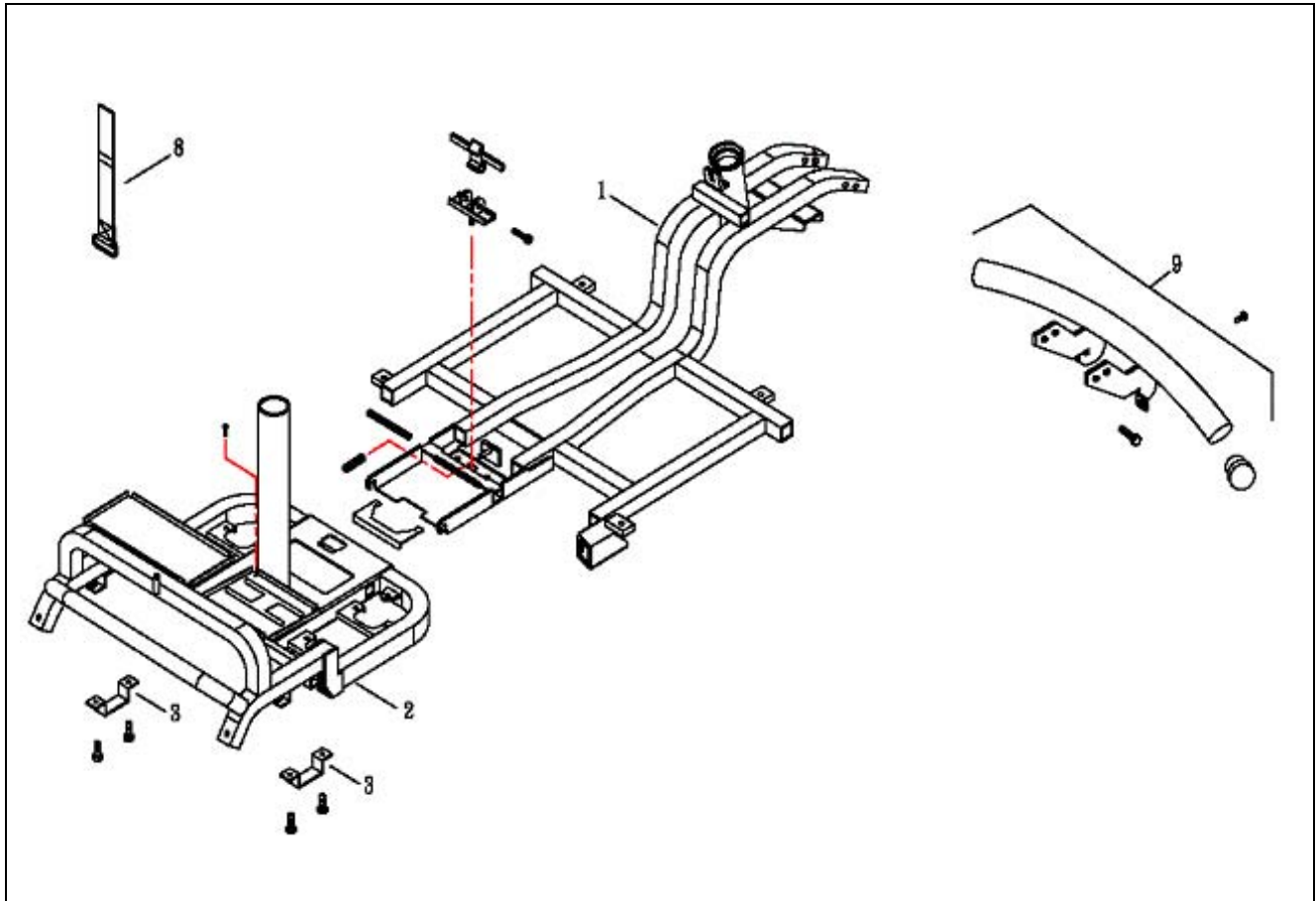
Item	Description	Qty	INV part no.			
1	Motor & Brake	1	1450792			
2	Transaxle	1	1450527			
4	Key shaft	1	1450528			
5	E-ring	2	1450529			
6	Guide	2	1450530			
	Carbon Brush	1	1450813			



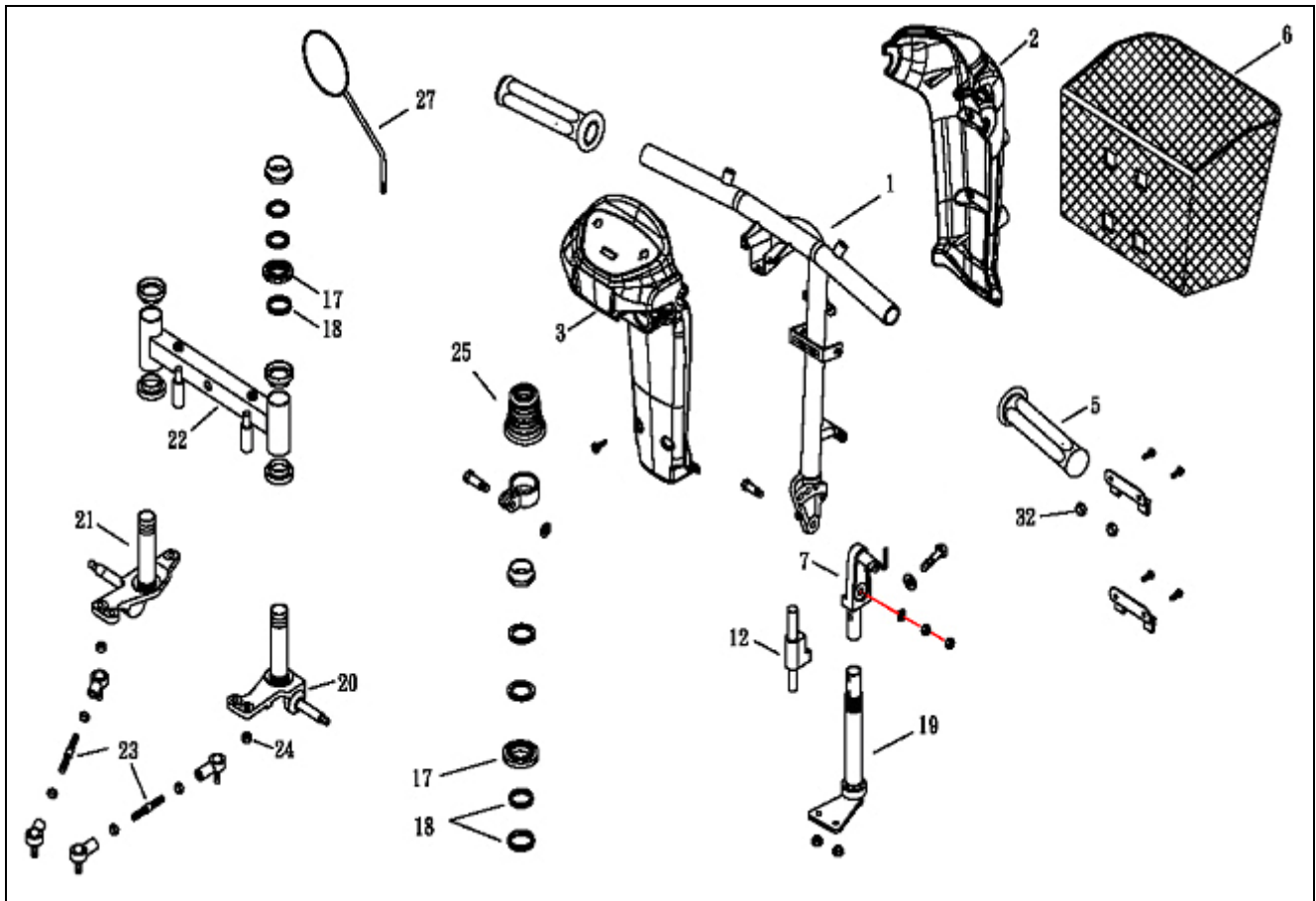
Item	Description	Qty	INV part no.			
1	Controller	1	1450531			
2	Wire Harness (rear)	1	1450532			
3	Wire Harness (front)	1	1450533			
4	P C Board	1	1450534			
5	Wigwag assbly	1	1450535			
6	Speed Pot	1	1450536			
7	Speed control knob	1	1450537			
8	Key switch	1	1450580			
	Keys	2	1450581			
9	Horn assbly	1	1450582			
10	Horn button assbly	1	1450583			
11	Horn button cover	1	1450584			



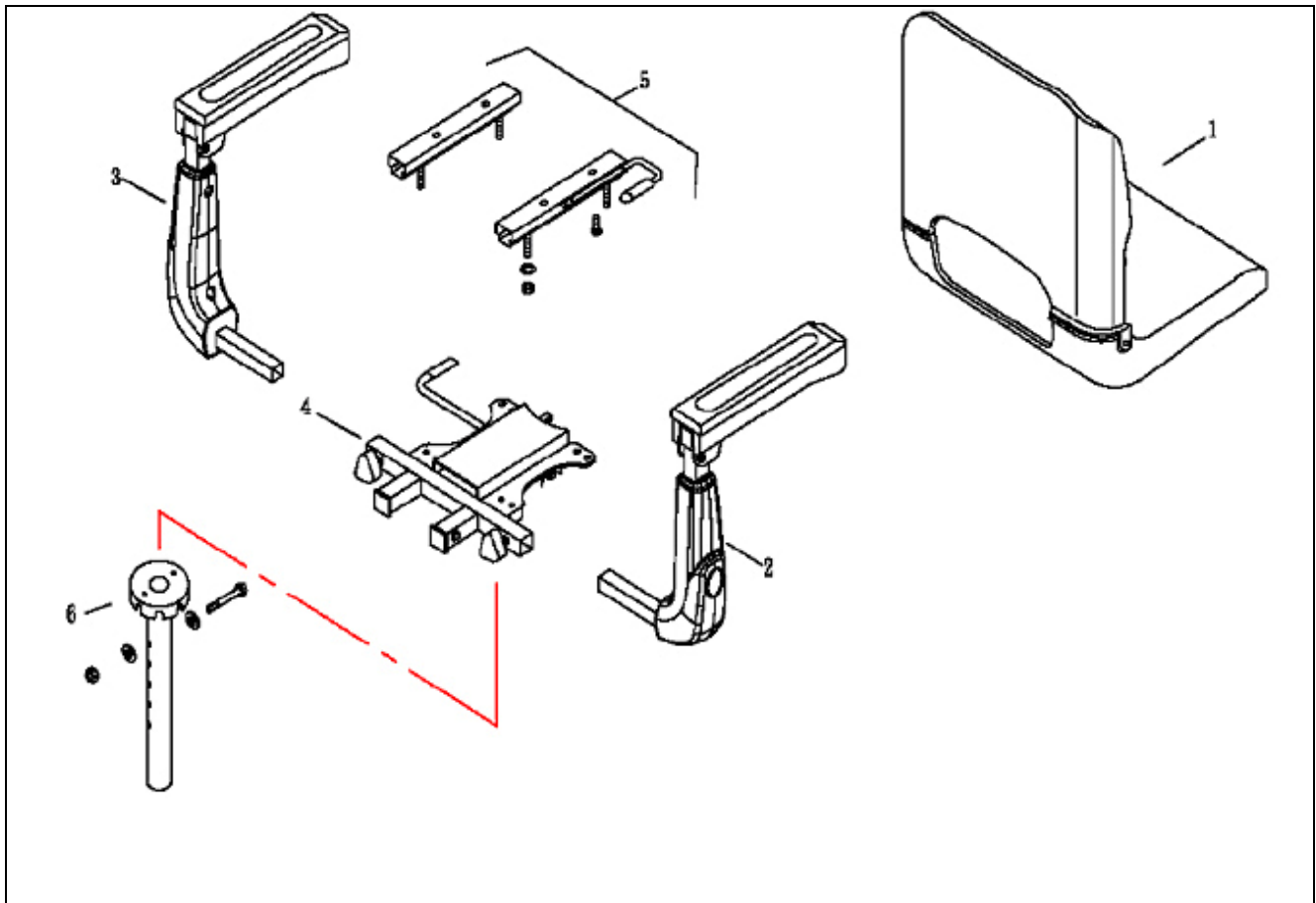
Item	Description	Qty	INV part no.			
12	Charging socket assbly	1	1450585			
15	Battery connection	1	1450586			
16	Connecting bolt	4	1450618			
17	Connecting magnet	4	1450619			
21	Fuse wiring	2	1450620			
23	Connecting magnet	4	1450644			
24	Connecting plate	4	1450645			
25	Head light assbly	1	1450646			
32	Battery 36Ahr	2	1450647			
35	Charger	1	1450648			
36	Charger lead	1	1450649			
37	Off board charging lead	1	1450717			



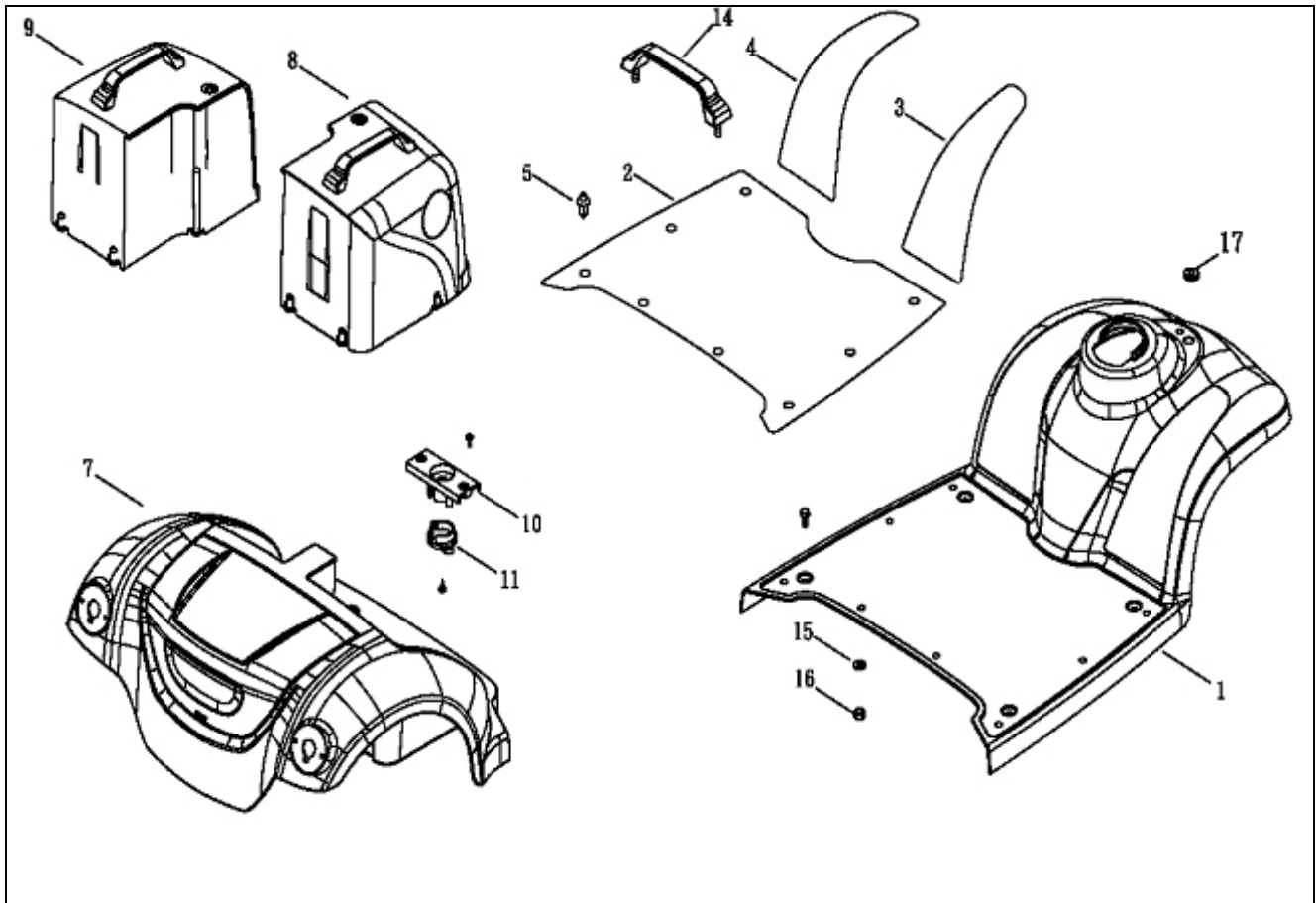
Item	Description	Qty	INV part no.			
1	Frame complete (front)	1	1450650			
2	Frame complete (rear)	1	1450651			
3	Diff bracket	1	1450652			
9	Bumper	1	1450653			



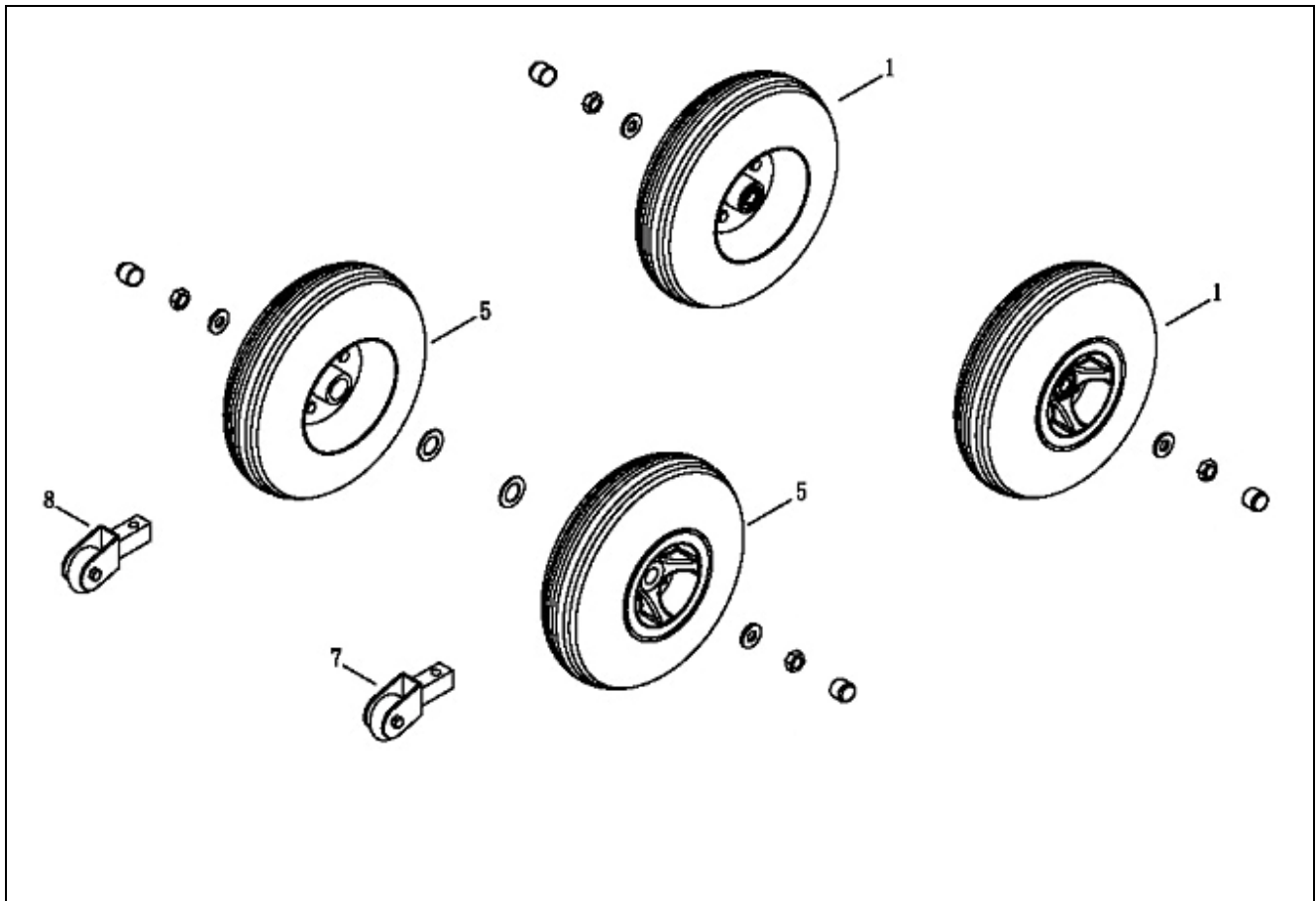
Item	Description	Qty	INV part n			
1	Steering bar assbly	1	1450654			
2	Steering shroud (front)	1	1450655			
3	Steering shroud (rear)	1	1450656			
5	Handle grip	2	1450657			
6	Basket (front)	1	1450658			
7	Steering adjustment	1	1450659			
12	Tiller connector	1	1450660			
17	Race (upper)	3	1450661			
18	Ball bearing set	6	1450662			
19	Steering connector	1	1450663			
20	Axle (R)	1	1450664			
21	Axle (L)	1	1450665			
22	Swing assbly	1	1450666			
23	Rod assbly	2	1450667			
25	Rubber cover	1	1450668			
27	Mirror	1	1450669			



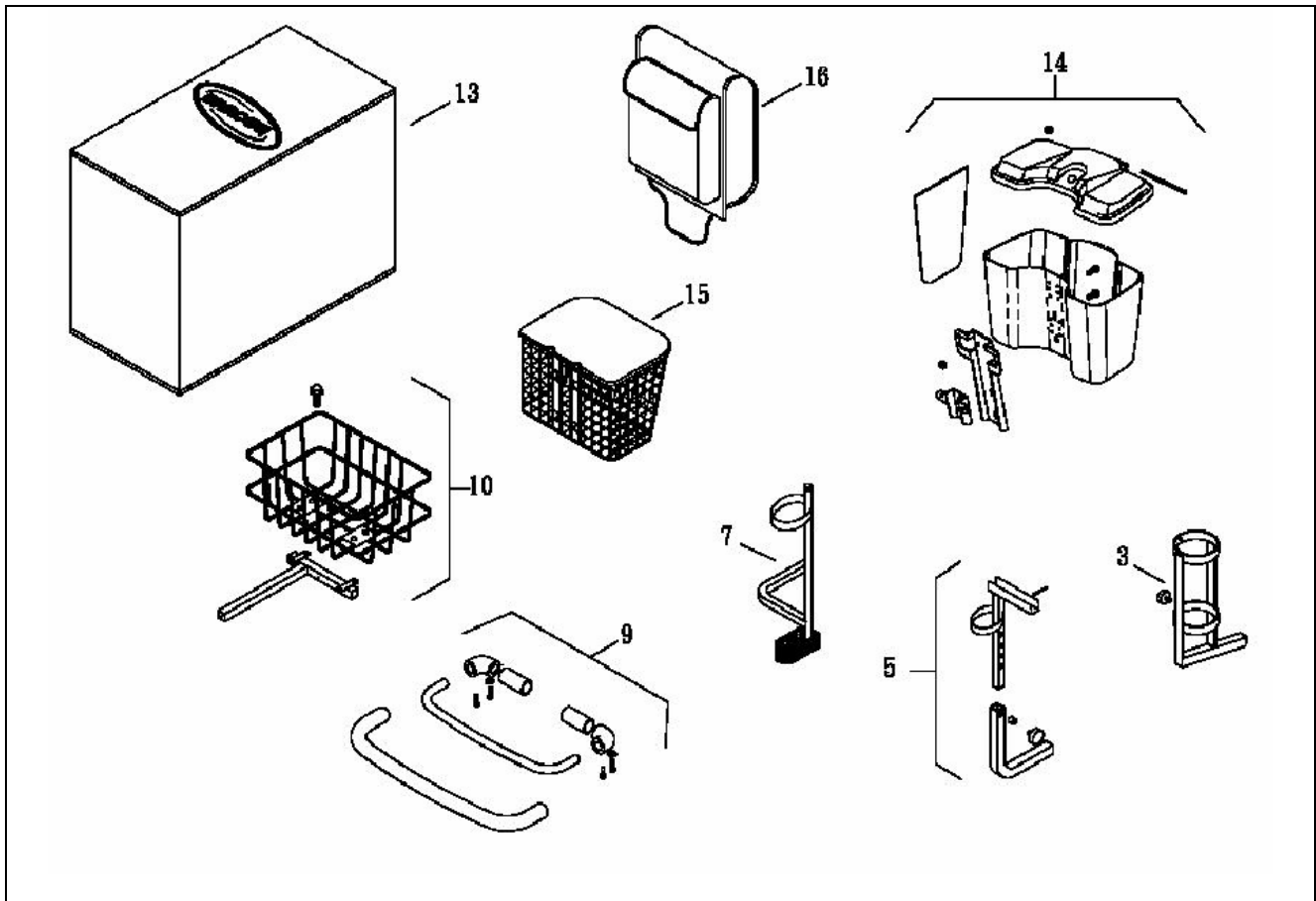
Item	Description	Qty	INV part no.			
1	Seat	1	1450670			
2	Arm rest (R)	1	1450671			
3	Arm rest (L)	1	1450672			
4	Seat swiveling assbly	1	1450673			
5	Seat sliding assbly	1	1450674			
6	Seat post	1	1450791			



Item	Description	Qty	INV part n			
1	Shroud (front)	1	1450675			
2	Rubber pad (main)	1	1450676			
3	Rubber pad (foot/right)	1	1450677			
4	Rubber pad (foot/left)	1	1450678			
5	Push rivet	6	1450679			
7	Shroud (rear)	1	1450680			
8	Battery box (R)	1	1450681			
9	Battery box (L)	1	1450682			
10	Connector bracket	4	1450683			
11	Connector cover	4	1450684			
14	Handle	1	1450685			



Item	Description	Qty	INV part no.			
1	Wheel assbly (front)	2	1450686			
5	Wheel assbly (rear)	2	1450687			
	Tyre	4	1450688			
	Inner tube	4	1450689			
7	Anti-tip assbly (R)	1	1450690			
8	Anti-tip assbly (L)	1	1450691			



Item	Description	Qty	INV part n			
3	Oxygen bottle holder	1	1450705			
5	Walking frame holder	1	1450706			
6	Seat Bag	1	1450712			
7	Crutch holder	1	1450707			
9	Delta handle bar	1	1450710			
10	Rear Basket	1	1450713			
13	Storage Cover	1	1450714			
14	Front locking box	1	1450708			
15	Basket with lid	1	1450709			
	Mirror	1	1450669			